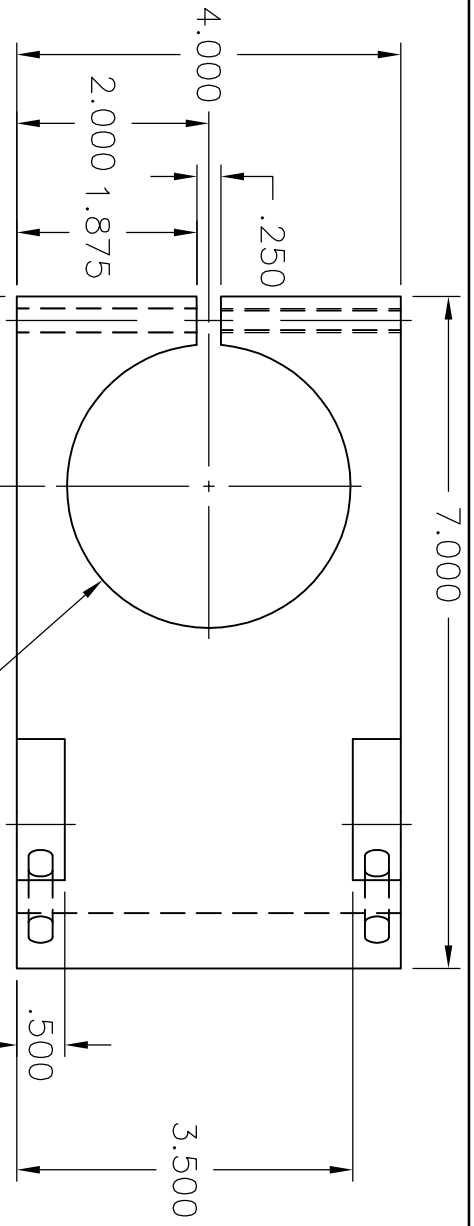
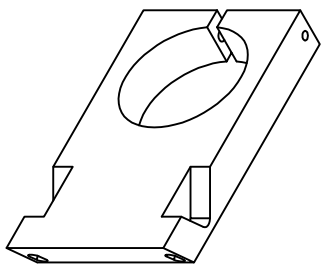
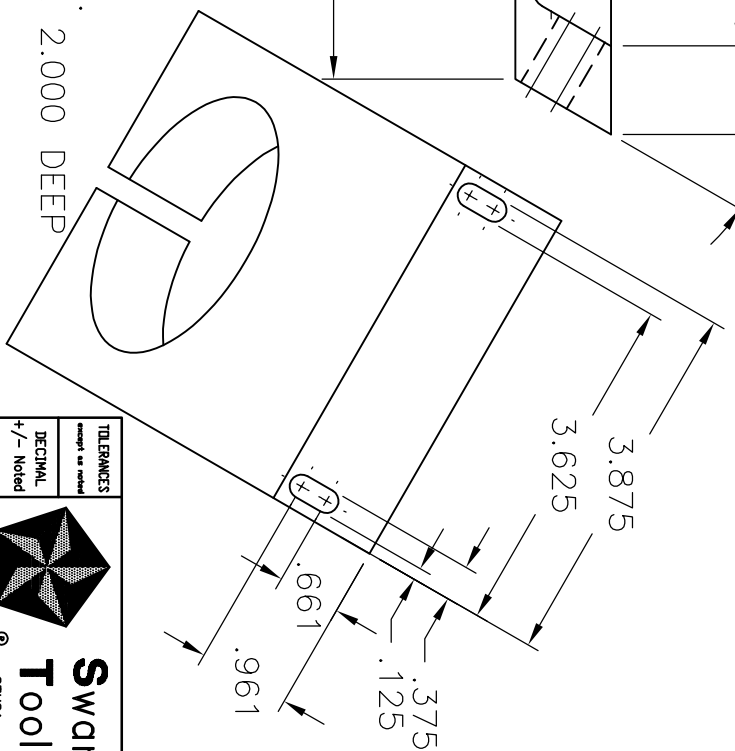


NOTES:
 MATERIAL: ALUMINUM
 .201 DIA. THROUGH.
 CBORE .250 DIA. X 2.000 DEEP
 TAP 1/4-20



BORE 2.953 DIA. THROUGH.



REV. NO	DATE	REVISION RECORD	ENG	ENG	QM	QM	SM
A0							

TOLERANCES except as noted DECIMAL +/- Noted ANGULAR +/- 1°		<p>Swanstrom Tools USA</p> STUSA 3900 James Day Avenue Superior, VI 54880-5527 BUS. PH. 715-392-9231 FAX 715-392-9233	DR. BY: KDB CH'D. BY:
TITLE BENCH MOUNT FOR 50R			

REV. NO	DATE	REVISION RECORD	ENG	ENG	QM	QM	SM	DIE I.D.	SCALE	DATE	DRAWING NUMBER	REV.
A0								1:2	8-31-04		50BMOUNT	A0

This is a CAD generated drawing. Do not alter manually.